



# GREMAC

## Mobile Drum Screens



Electric drive, available with petrol or diesel generator set (optional)

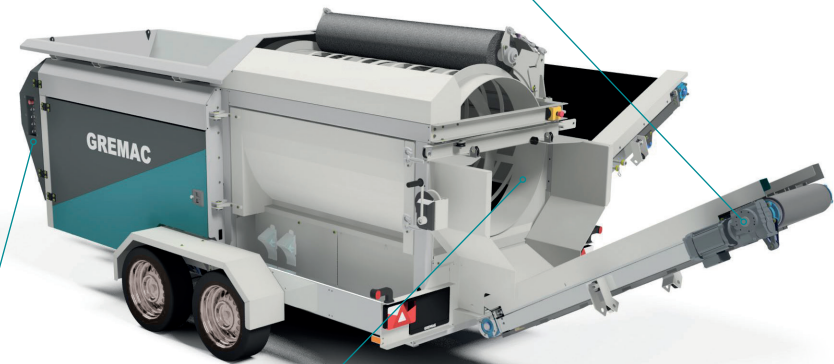
Electronic load-sensing control for a continuous workflow

Galvanised hopper, 2,300 mm wide with a drop-off height of only 1,910 mm

Trailer with a maximum weight of 3,500 kg

Strong electric-gearred motors

Powerful and a true all-rounder in its class of up to 3.5 tons



No loss of material due to a wide one-piece fines discharge conveyor

Frame and all structural parts are galvanised steel for a long machine life

Crank support winches for secure positioning

Control panel optionally available with remote control unit

Easy to change screen mats

Up to 50 m<sup>3</sup>/h screening capacity



# GREMAC

## Mobile Drum Screens



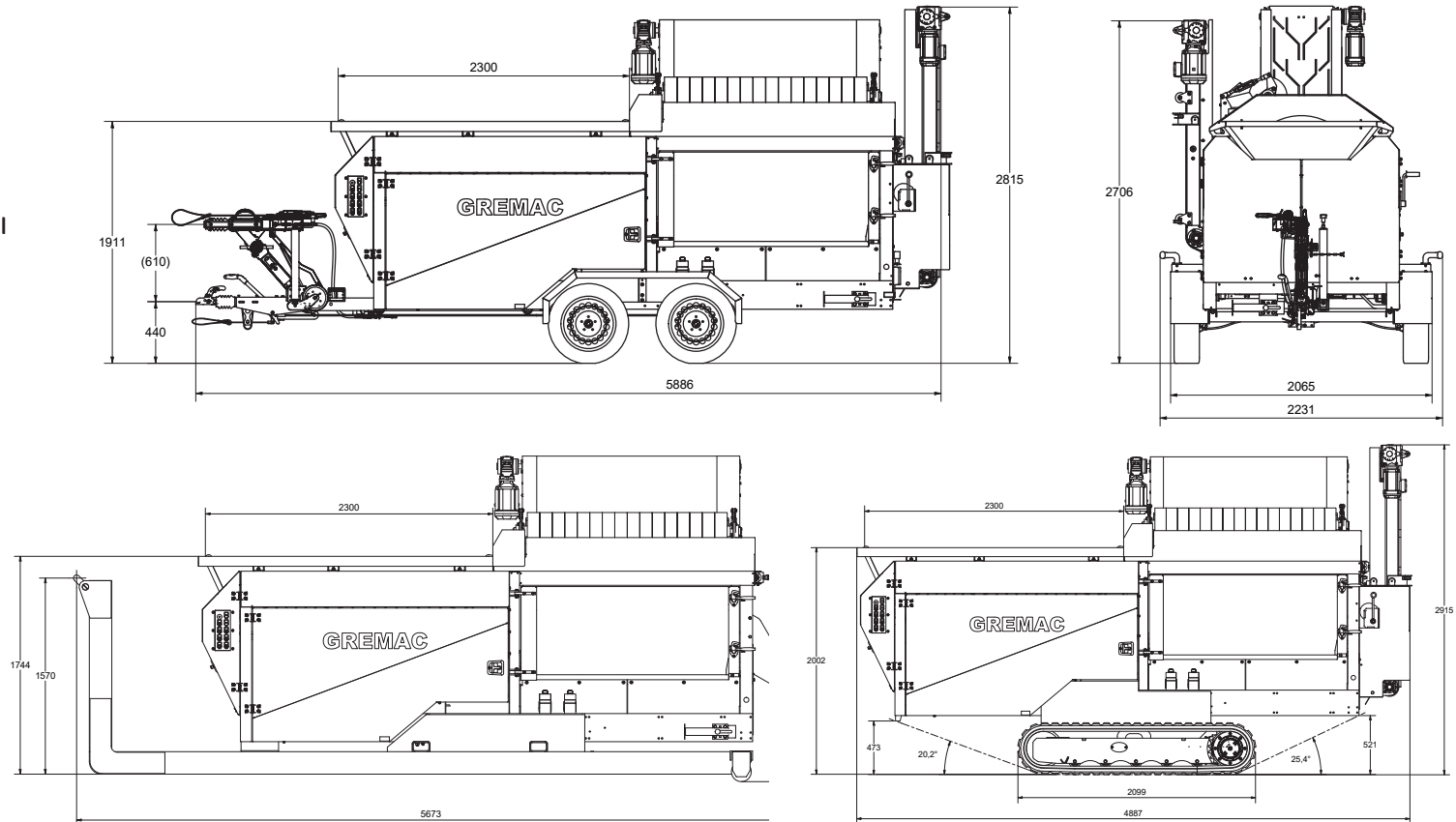
### GREMAC e1

Whether excavated soil, stones, rubble or other screenable materials, the GREMAC e1 masters all tasks with ease and unrivalled flexibility. This is achieved through its modular structure.

Options include remote control, rear conveyor, separator grid and exchangeable screen mats. Added to the basic configuration, these make the e1 a true all-rounder in the 3.5-ton class.

Simple, robust, versatile - the GREMAC e1

Up to 50 m<sup>3</sup>/h screening capacity



### Contact

GREMAC OHG  
 Twiestweg 5  
 26209 Hatten | Germany  
 Tel.: +49 (0)4482 9 74 01 00  
 info@gremac.de

[www.gremac.de](http://www.gremac.de)

### Technical Data

**Drum length:** 2,000 mm  
**Diameter:** 1,000 mm  
**Screening surface:** 6.2 m<sup>2</sup>  
**Mesh size:** 2 - 80 mm  
**Drive:** Electric (optionally available with petrol or diesel generator)

**Hopper:** 1.3 m<sup>3</sup>  
**Weight:** 2,650 kg - max. 3,500 kg  
**Towing device:** Ball head, towing eyelet (40/50 mm)  
**Supply voltage:** 380 - 420 V / CEE-16A

Robust, galvanised & Made in Germany

#screeningmadesimple

Subject to technical changes - Specifications may vary. Pictures may show optional equipment.