



GREMAC

Mobile Drum Screens



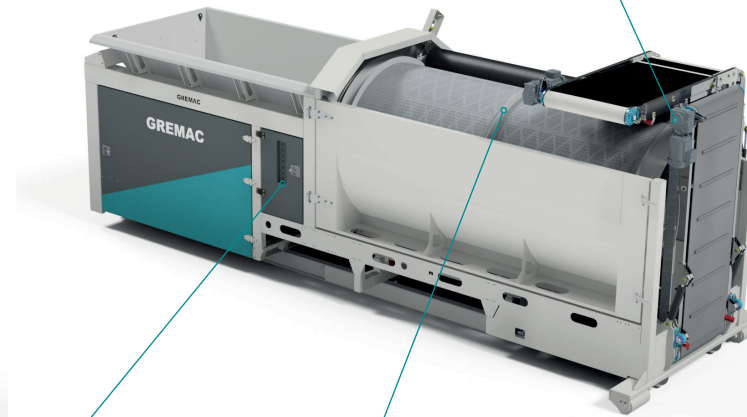
Electric drive,
available with
diesel generator
set (optional)

Electronic
loadsensing
control for a
continuous
workflow

Galvanised hopper,
3,150 mm wide with
a drop-off height
between
2,155 mm - 2,755 mm

Strong electric
motors

Also available
on tracks!
The GREMAC
e-Track



No loss of
material due
to a long one-piece
fines discharge
conveyor

Frame
and all structural
parts are galvanised
steel for a long
machine life

Hydraulic support
feet with automatic
levelling (optional)

Control panel
optionally available
with remote
control unit

Easy to
change screen
mats & drum

Up to
100 m³/h
screening
capacity



GREMAC

Mobile Drum Screens



GREMAC e3

A drum 3.6 meters long.
1.50 meters in diameter. 3m³ hopper.

With this data, the e3 is a real performer and solution for anyone who needs to process many types of material in a short time.

Compost, green waste, soil, gravel, sand, waste wood, shredded construction waste and more are accurately separated.

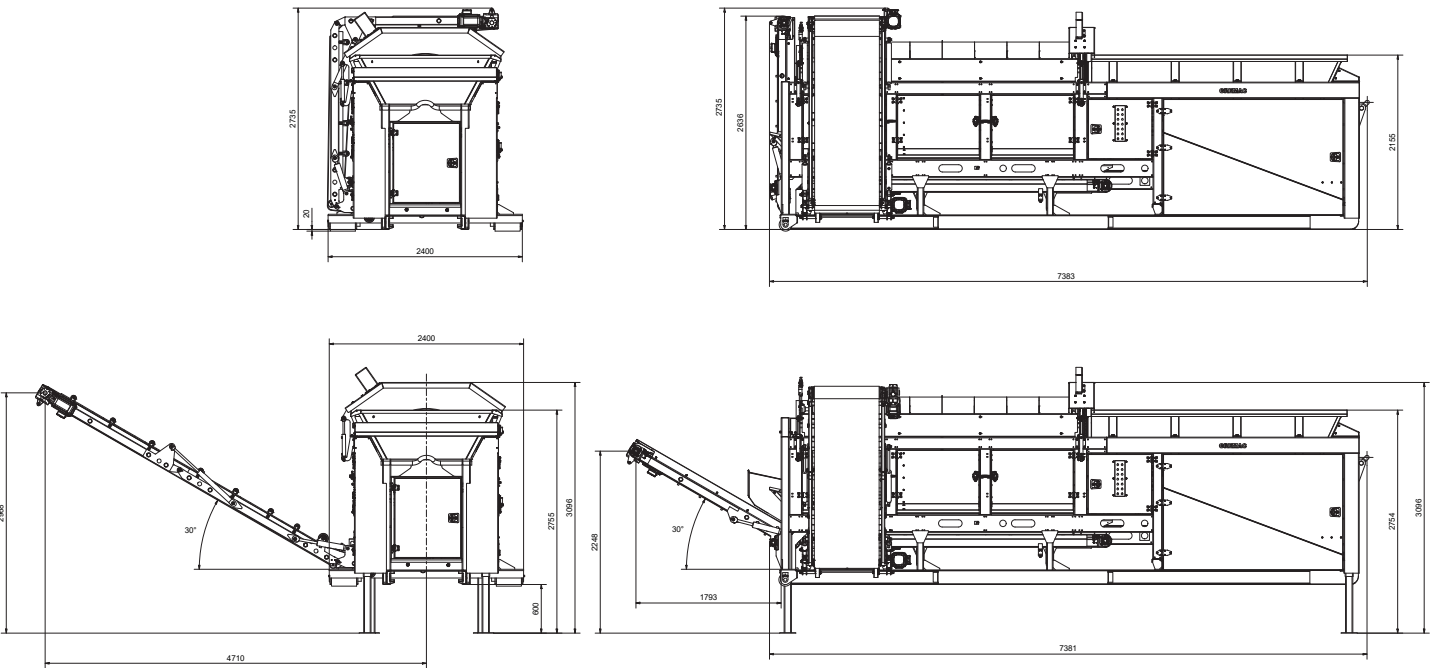
Simple, robust, versatile – the GREMAC e3

Up to 100 m³/h screening capacity

Contact

GREMAC OHG
Twiestweg 5
26209 Hatten | Germany
Tel.: +49 (0)4482 9 74 01 00
info@gremac.de

www.gremac.de



Technische Daten

Drum length: 3.600 mm
Diameter: 1.500 mm
Screening surface: 17 m²
Mesh size: 2 - 80 mm
Drive: Electric (Diesel generator optional)

Hopper: 3 m³
Weight: 7.500 kg - max. 9.000 kg (depending on configuration)
Hook lift: DIN30722-1
Supply voltage: 380 - 420 V / CEE-32A

Robust, galvanised & Made in Germany

#screeningmadesimple